

**NAVFAC
SPECIFICATION**

**WO 6059431/6059433
CP1304M/CP1305R
REPAIRS AND
IMPROVEMENTS TO
BEQ B-4169**

MCAS Cherry Point, NC

AMENDMENT #0004

IMPORTANT

This amendment should be acknowledged when your proposal is submitted. Failure to acknowledge the amendment may constitute grounds for rejection of the proposal.

If your proposal has been submitted prior to the receipt of this amendment, acknowledgement should be made by telegram, which should state whether the price contained in your proposal is to remain unchanged, is to be decreased by an amount, or is to be increased by an amount. The acknowledgement must be received prior to proposal opening time.

AMENDMENT OF SOLICITATION/MODIFICATION OF CONTRACT			1. CONTRACT ID CODE	PAGE 1	OF PAGES 6
2. AMENDMENT/MODIFICATION NO. 0004	3. EFFECTIVE DATE 07/15/2014	4. REQUISITION/PURCHASE REQ. NO.	5. PROJECT NO. (If applicable) 6059431/6059433		
6. ISSUED BY CG MCAS Cherry Point FACILITIES, ROICC B-163, CURTIS ROAD PSC BOX 8006 CHERRY POINT, NC 28533		Code N40085	7. ADMINISTERED BY (If other than item 6.)	Code	
8. NAME AND ADDRESS OF CONTRACTOR (No., street, county, State and ZIP Code) AMENDMENT MUST BE ACKNOWLEDGED WITH YOUR PROPOSAL			<input checked="" type="checkbox"/>	9A. AMENDMENT OF SOLICITATION Repairs & Improvements BEQ B-4169	
			<input type="checkbox"/>	9B. DATED (SEE ITEM 11)	
			<input type="checkbox"/>	10A. MODIFICATION OF CONTRACT/ORDER NO.	
			<input type="checkbox"/>	10B. DATED (SEE ITEM 13)	
CODE	FACILITY CODE				

11. THIS ITEM ONLY APPLIES TO AMENDMENTS OF SOLICITATIONS

The above numbered solicitation is amended as set forth in item 14. The hour and date specified for receipt of Offers is extended is not extended. Offers must acknowledge receipt of this amendment prior to the hour and date specified in the solicitation or as amended, by one of the following methods: (a) By completing items 8 and 15, and returning 1 copy of the amendment; (b) By acknowledging receipt of this amendment on each copy of the offer submitted; or (c) By separate letter or telegram which includes a reference to the solicitation and amendment numbers. FAILURE OF YOUR ACKNOWLEDGMENT TO BE RECEIVED AT THE PLACE DESIGNATED FOR THE RECEIPT OF OFFERS PRIOR TO THE HOUR AND DATE SPECIFIED MAY RESULT IN REJECTION OF YOUR OFFER. If by virtue of this amendment you desire to change an offer already submitted, such change may be made by telegram or letter, provided each telegram or letter makes reference to the solicitation and this amendment, and is received prior to the opening hour and date specified.

12. ACCOUNTING AND APPROPRIATION DATA (if required)

**13. THIS ITEM APPLIES ONLY TO MODIFICATIONS OF CONTRACTS/ORDERS,
IT MODIFIES THE CONTRACT/ORDER NO. AS DESCRIBED IN ITEM 14.**

<input type="checkbox"/>	A. THIS CHANGE ORDER IS ISSUED PURSUANT TO: (Specify authority) THE CHANGES SET FORTH IN ITEM 14. ARE MADE IN THE CONTRACT ORDER NO. IN ITEM 10A.
<input type="checkbox"/>	B. THE ABOVE NUMBERED CONTRACT/ORDER IS MODIFIED TO REFLECT THE ADMINISTRATION CHANGES (such as changes in paying office, appropriation date, etc.) SET FORTH IN ITEM 14, PURSUANT TO THE AUTHORITY OF FAR 43.103 (b).
<input type="checkbox"/>	C. THIS SUPPLEMENTAL AGREEMENT IS ENTERED INTO PURSUANT TO AUTHORITY OF:
<input type="checkbox"/>	D. OTHER: (specify type of modification and authority)
E. IMPORTANT: Contractor <input type="checkbox"/> is not <input type="checkbox"/> is required to sign this document and return original to the issuing office.	

14. DESCRIPTION OF AMENDMENT/MODIFICATION (Organized by UCF section headings, including solicitation/contract subject matter where feasible.)

WO6059431/6059433, CP1304M/CP1305R; Repairs & Improvements BEQ B-4169, MCAS Cherry Point, NC

The purpose of this amendment is to incorporate the attached information.

See Attached.

The proposal due date is extended to Tuesday 22 July 2014.

15A. NAME AND TITLE OF SIGNER (Type or print)		16A. NAME AND TITLE OF CONTRACTING OFFICER (Type or print)	
15B. CONTRACTOR/OFFEROR (Same as Item 8)	15C. DATE SIGNED	16B. UNITED STATES OF AMERICA BY	16C. DATE SIGNED
_____ (Signature of person authorized to sign)		_____ (Signature of Contracting Officer)	

CONTINUATION SHEET

SPECIFICATIONS

DIVISION 00 - PROCUREMENT AND CONTRACTING REQUIREMENTS

SECTION 00 01 15 - LIST OF DRAWINGS

NAVFAC DRAWING NO. 12647672

Delete drawing in its entirety and replace with revised NAVFAC Drawing No. 12647672, revision 1, dated 11 July 2014.

NAVFAC DRAWING NO. 12647684

Delete drawing in its entirety and replace with revised NAVFAC Drawing No. 12647684, revision 1, dated 11 July 2014.

NAVFAC DRAWING NO. 12647687

Delete drawing in its entirety and replace with revised NAVFAC Drawing No. 12647687, revision 1, dated 11 July 2014.

NAVFAC DRAWINGS 12647671 and 12647691; Sheets A-103 and A-601;

Door 132B on Sheet A-103 and frame elevation "G" on Sheet A-601; delete solid insulated panel from transom and provide glazing in the transom as specified on Section 08 81 00.

NAVFAC DRAWING NO. 12647689; Sheet A-410; FLOOR FINISH LEGEND;

Delete "white" from description of metal angle divider strips.

NAVFAC DRAWING NO. 12647694; Sheet A-604; ROOM FINISH SCHEDULE; FINISH KEY - PT-1, Porcelain Wall Tile;

Delete Travertini Collection: 12" x 12"; Travertino White and add Parkland Collection, Color: Shenandoah, Size: 12" x 12" or equal.

NAVFAC DRAWING NO. 12647708; Sheet F-101; Detail A2;

The new 6-in fire main shall be routed as follows:

- 1) Penetrate the foundation wall along the centerline of the door to coordinate with the existing pile caps.
- 2) Turn 90-degrees to the corner of the room.
- 3) Turn 90-degrees up to 12-in above the finished floor.
- 4) Turn 90-degrees and run approximately 4-ft along the wall to coordinate with the existing panels.
- 5) Turn 90-degrees up to the base of the sprinkler riser

DIVISION 8 - OPENINGS

SECTION 08 81 00 - Glazing

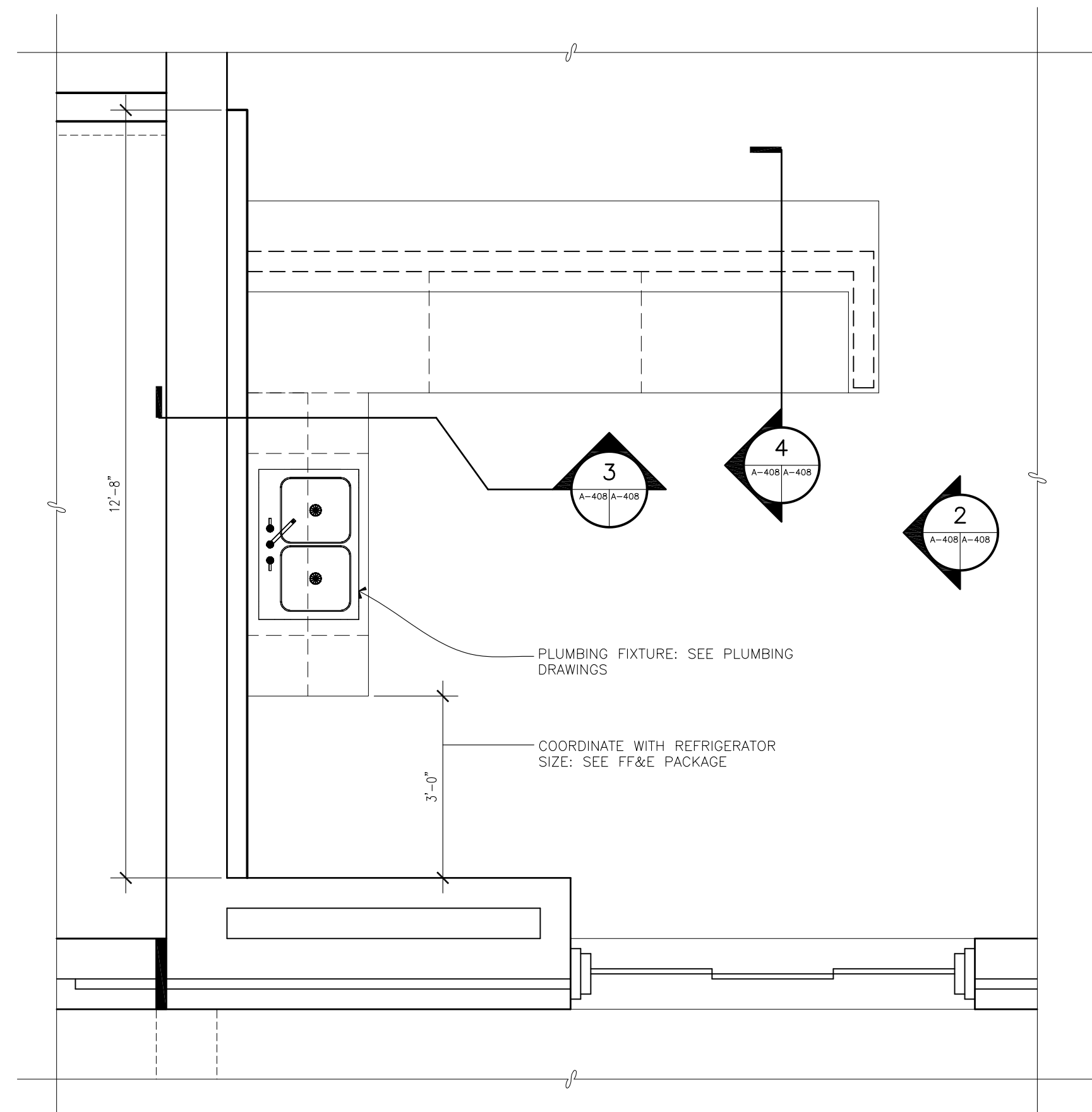
Paragraph 2.2.2; Change the whole window U value from .349 to .377

DIVISION 9 - FINISHES

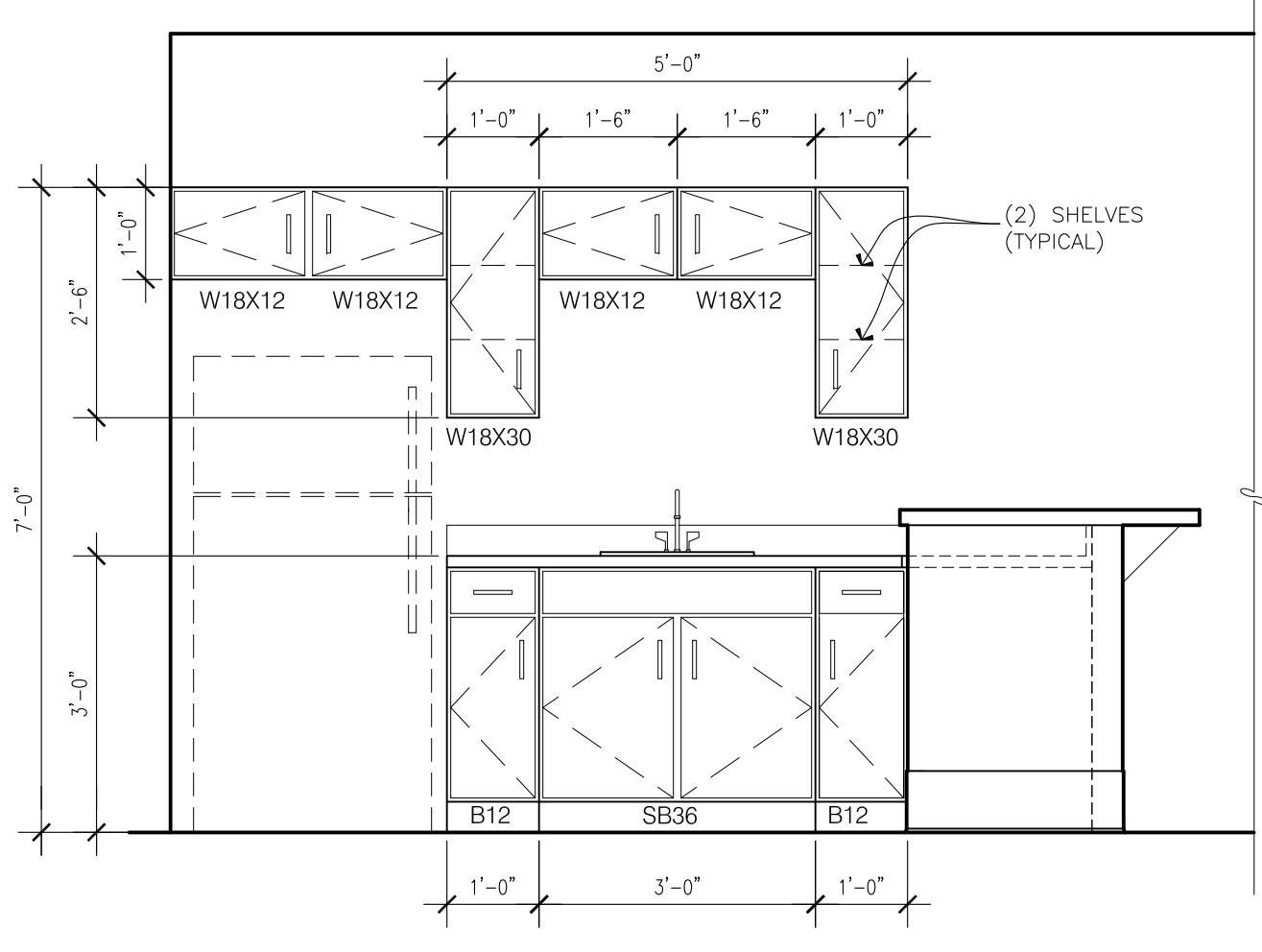
SECTION 09 66 23.00 22 - RESINOUS EPOXY TERRAZZO FLOORING

Part 2: Products; Paragraph 2.5.1 Divider Strips;

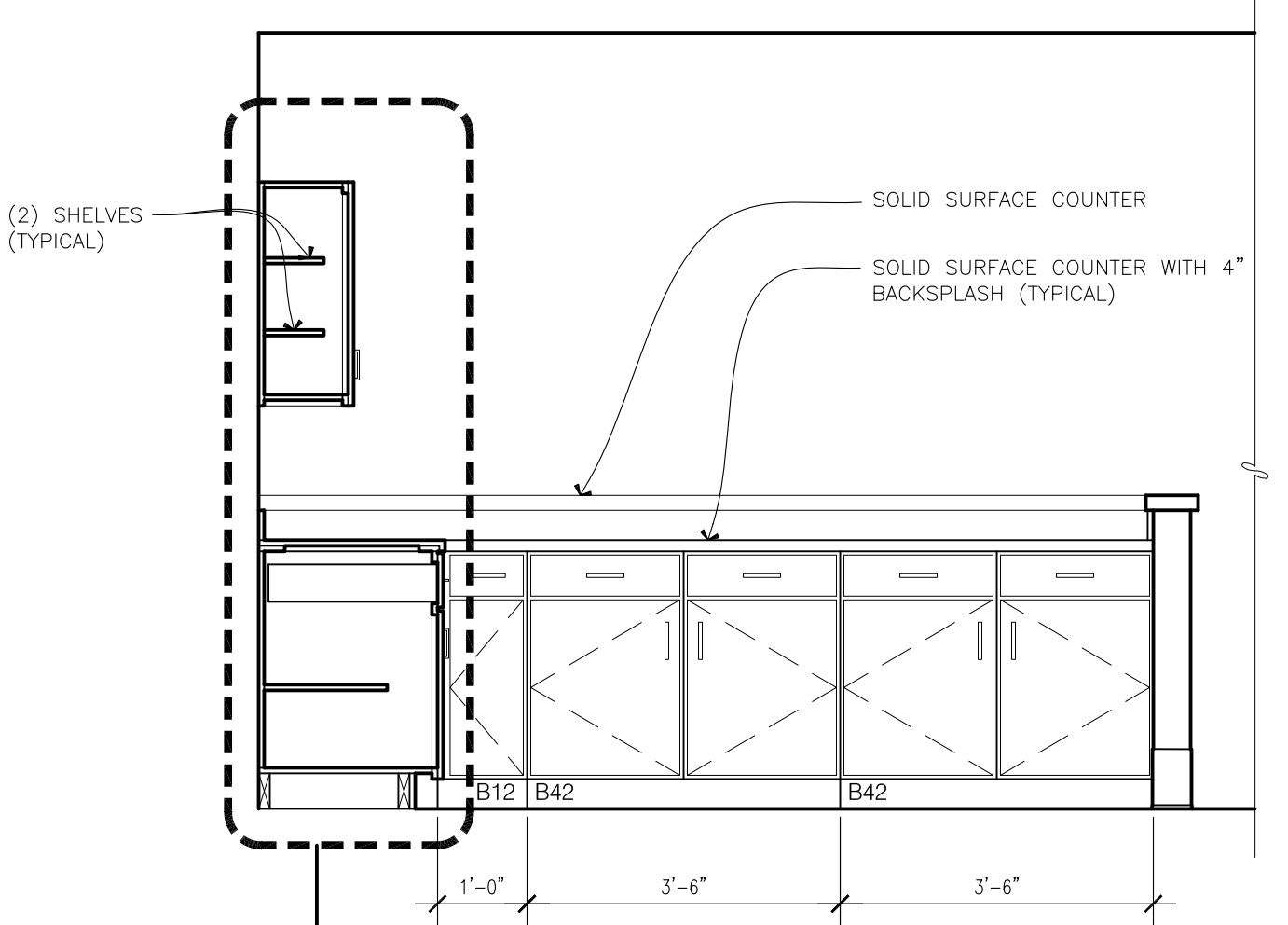
On the second line, delete the word "brass" and replace with "aluminum"



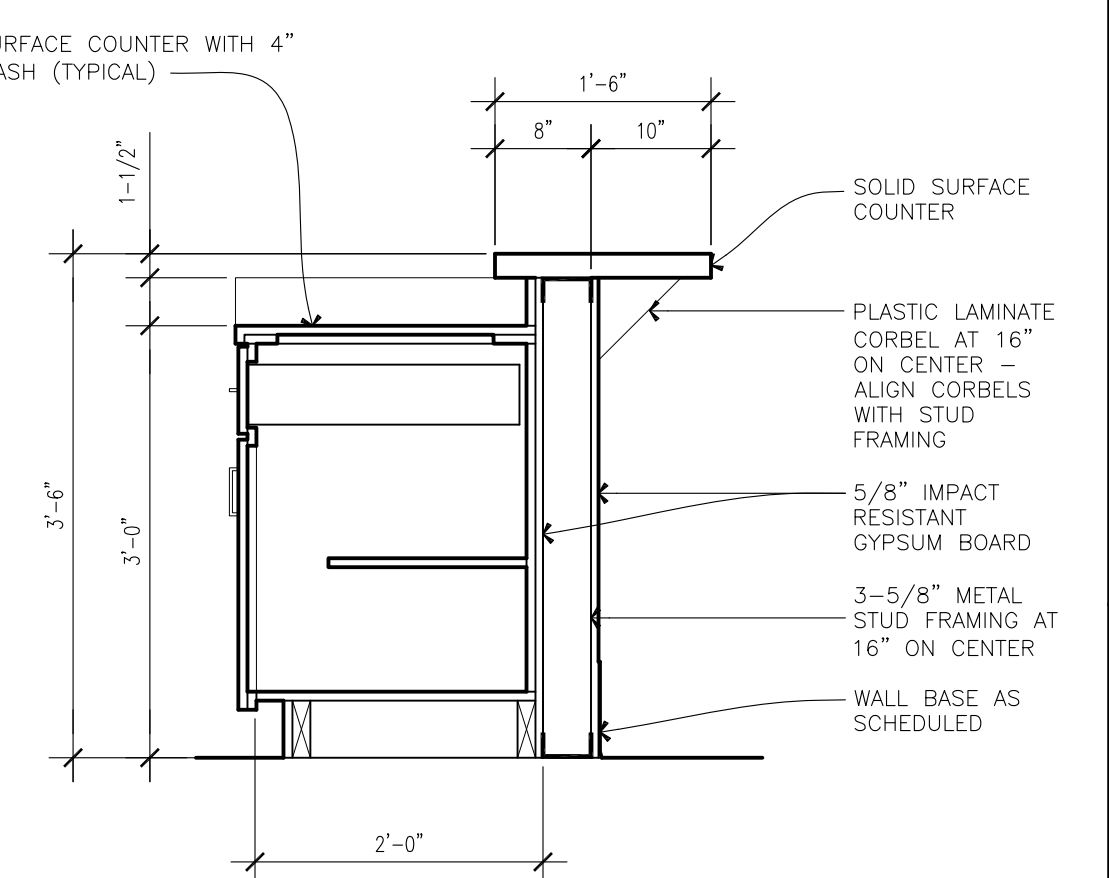
1 ENLARGED PLAN: KITCHEN SCALE: 1/2"=1'-0"



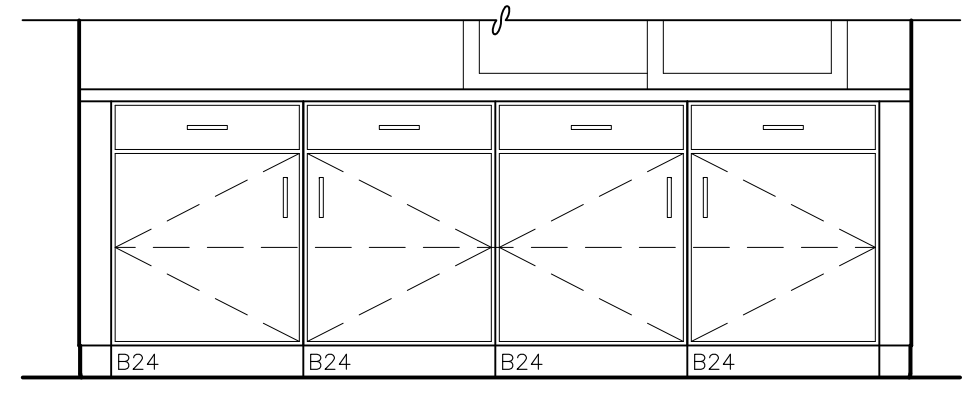
2 ELEVATION SCALE: 1/2"=1'-0"



3 ELEVATION SCALE: 1/2"=1'-0"

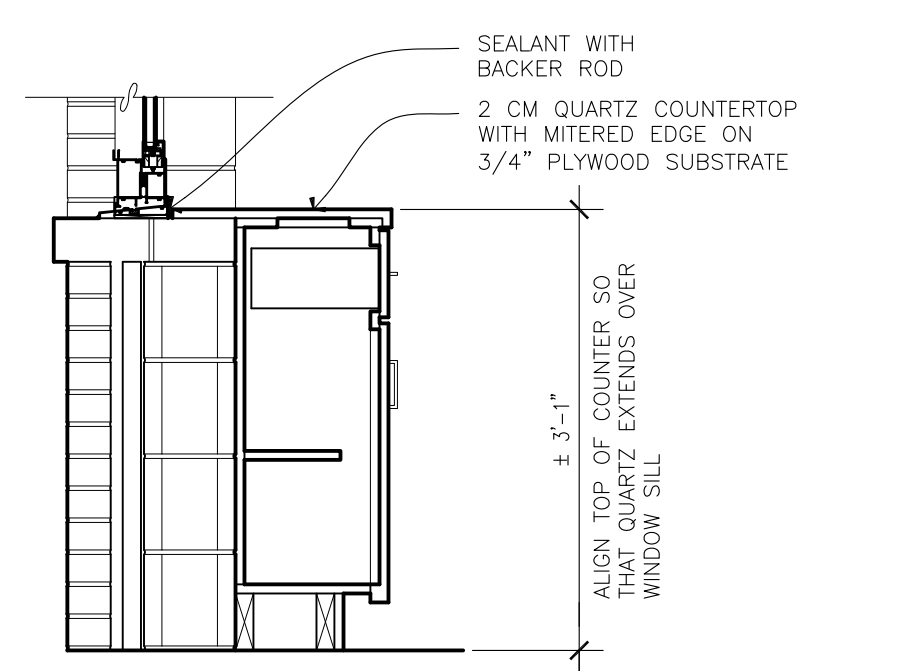


4 SECTION DETAIL SCALE: 3/4"=1'-0"

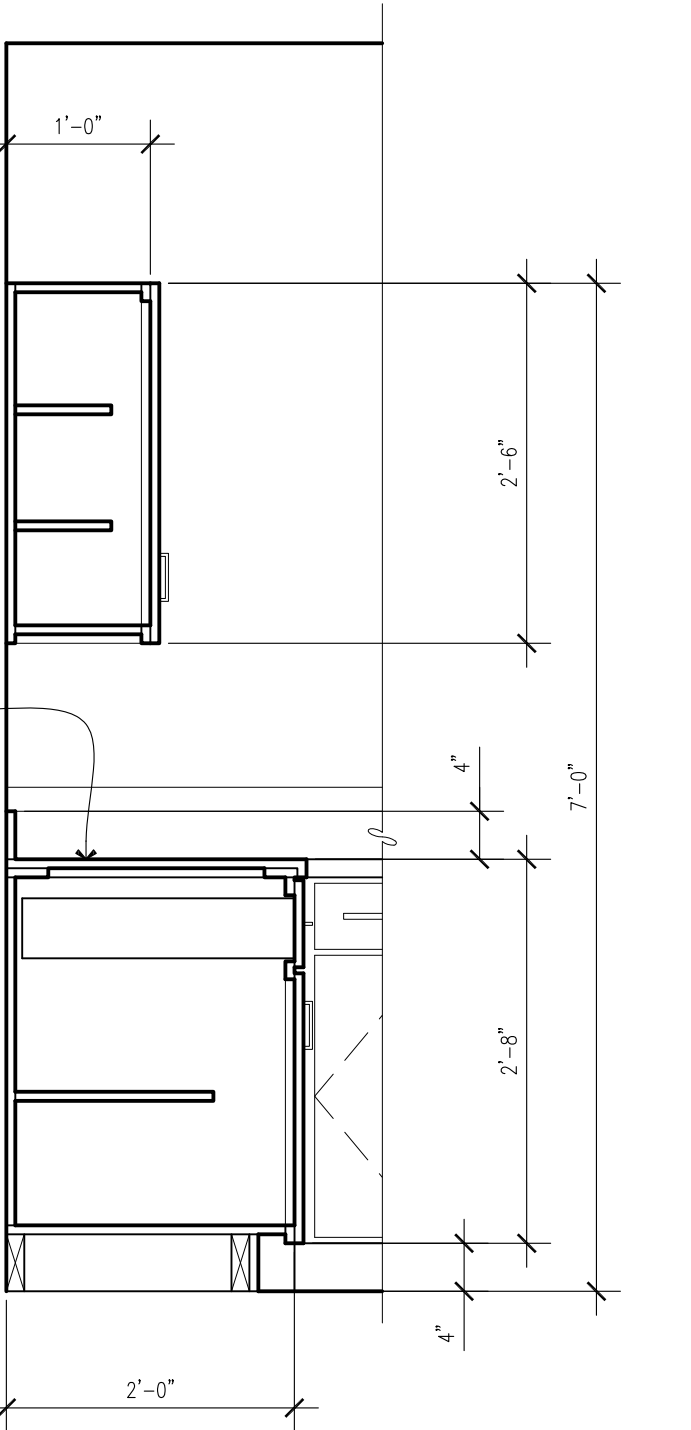


NOTE: BASE CABINETS SHOWN ARE 12" DEEP - SEE PLAN

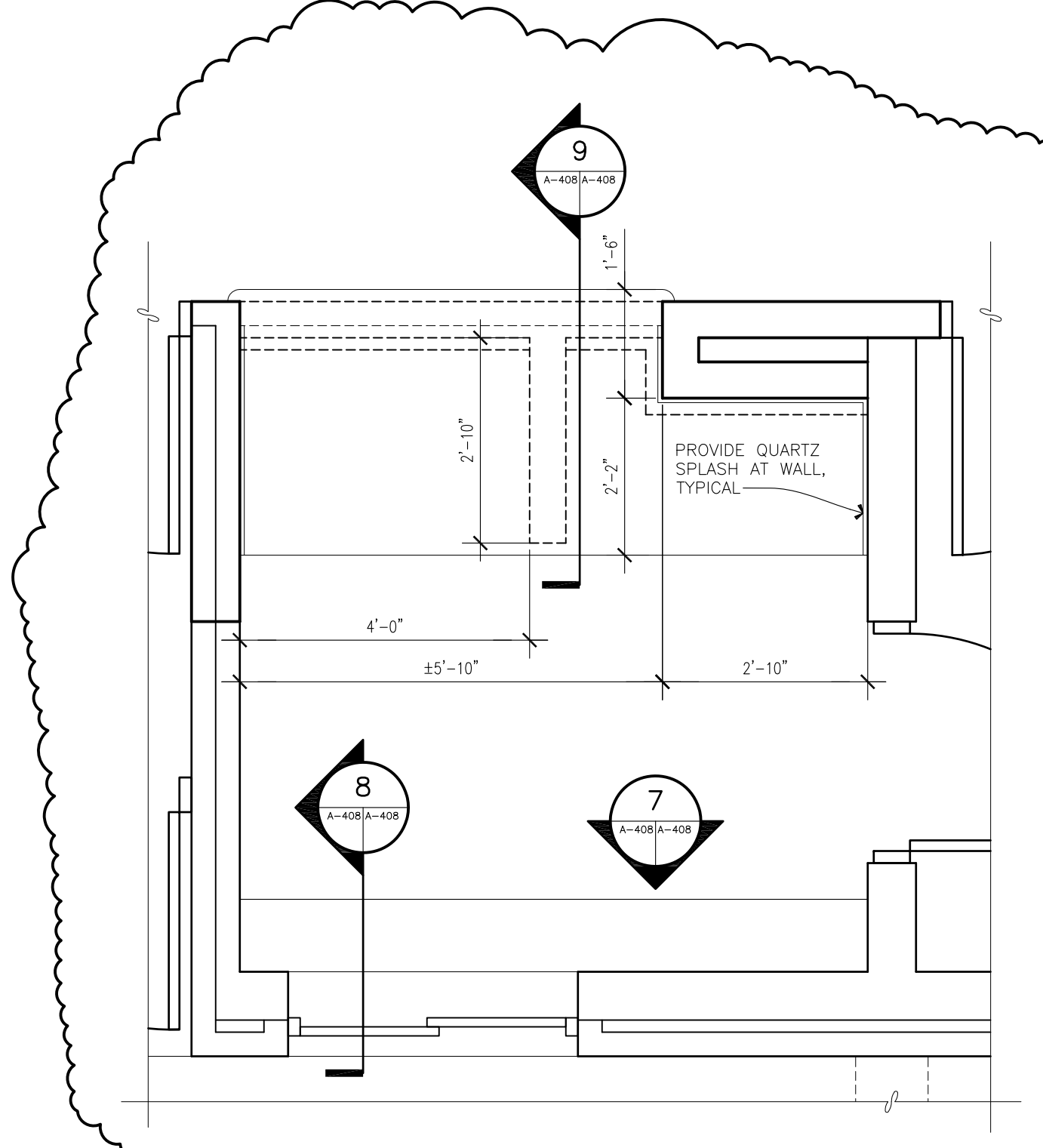
7 ENLARGED PLAN Scale: 1/2"=1'-0"



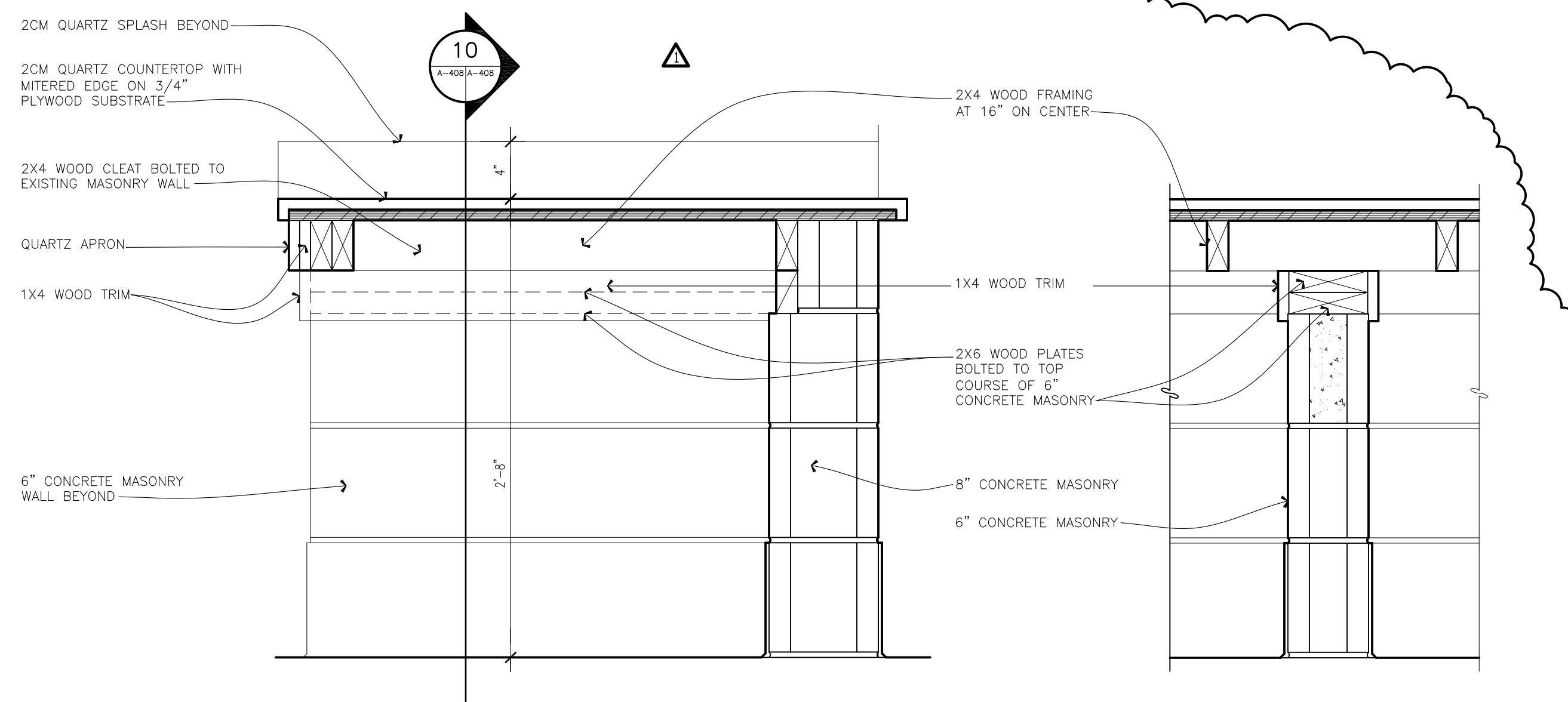
8 SECTION DETAIL Scale: 3/4"=1'-0"



5 SECTION DETAIL SCALE: 3/4"=1'-0"

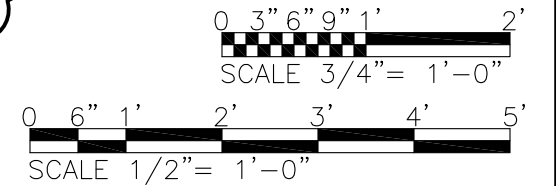


6 ENLARGED PLAN Scale: 1/2"=1'-0"



9 SECTION DETAIL Scale: 1-1/2"=1'-0"

10 SECTION DETAIL Scale: 1-1/2"=1'-0"



HP	DATE	APPR.
7.11.14		
REVISED DUTY WALL LOCATION AND DESK	DESCRIPTION	SYMBOL
1		

DESIGNED & ENGINEERED BY:

MAUNE BELANGIA FAULKENBERRY ARCHITECTS, PA

312-C Park Street, New Bern, NC 28560 Tel: 252.437.4373

REGISTERED ARCHITECT

4069

NEW BERN, NC

9 July 2014

APPROVED

ACTIVITY - SATISFACTORY TO

DATE APPROVED

FOR EFD FOR COMMANDER NAVFAC

DATE

A/E DESIGN EFD

JH DRAWN

DLG REVIEW

RTB OC

CHEF ARCH/ ENGR

PROJECT MANAGER

FIRE PROTECTION

BRANCH MANAGER

DESIGN DIRECTOR

NAV FACILITIES ENGINEERING COMMAND

MARINE CORPS AIR STATION, CHERRY POINT, N.C.

REPAIRS TO BEQ 4169

MCAS CHERRY POINT, NC

CASEWORK PLANS, SECTIONS AND ELEVATIONS

STA. PROJ. NO. CP1304M

SPEC. NO.

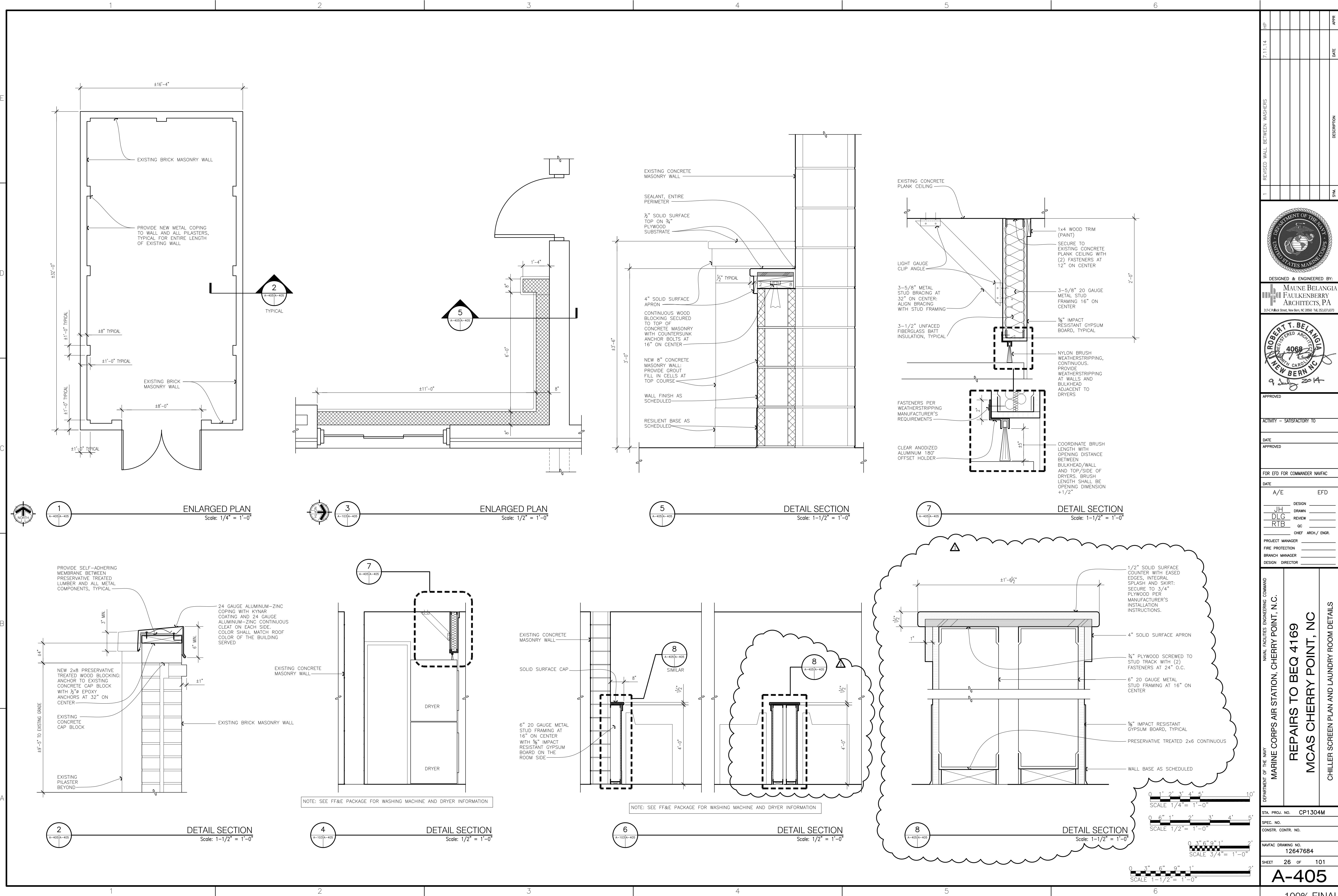
CONSTR. CONTR. NO.

NAVFAC DRAWING NO. 12647687

SHEET 29 OF 101

A-408

100% FINAL



HP	7.11.14	DATE	APPR		
1	REVISED WALL BETWEEN WASHERS	DESCRIPTION	SYMB.	DATE	

DESIGNED & ENGINEERED BY:
MAUNE BELANGIA FAULKENBERRY ARCHITECTS, PA
 315-C 10th Street, New Bern, NC 28560 Tel: 252.337.2373

APPROVED
 9 July 2014

ACTIVITY - SATISFACTORY TO	DATE
APPROVED	APPROVED
FOR EFD FOR COMMANDER NAVFAC	
DATE	A/E EFD
JH DESIGN	
DLG DRAWN	
RTB OC	
CHIEF ARCH/ ENGR	
PROJECT MANAGER	
FIRE PROTECTION	
BRANCH MANAGER	
DESIGN DIRECTOR	

DEPARTMENT OF THE NAVY
 NAVAL FACILITIES ENGINEERING COMMAND
 MARINE CORPS AIR STATION, CHERRY POINT, N.C.

**REPAIRS TO BEQ 4169
 MCAS CHERRY POINT, NC**

CHILLER SCREEN PLAN AND LAUNDRY ROOM DETAILS

STA. PROJ. NO.	CP1304M
SPEC. NO.	
CONSTR. CONTR. NO.	
NAVFAC DRAWING NO.	12647684
SHEET	26 OF 101

A-405

100% FINAL

