

AMENDMENT OF SOLICITATION/MODIFICATION OF CONTRACT				1. CONTRACT ID CODE	PAGE 1 OF 3 PAGES
2. AMENDMENT/MODIFICATION NO. AMENDMENT NO. 0003		3. EFFECTIVE DATE 05/22/14	4. REQUISITION/PURCHASE REQ. NO.	5. PROJECT NO. (If applicable) 14-0105	
6. ISSUED BY CODE		mks	7. ADMINISTERED BY (If other than Item 6) CODE		See Item 6
8. NAME AND ADDRESS OF CONTRACTOR (No., street, county, State and ZIP Code) Officer in Charge of Construction MCI-East 1005 Michael Road Camp Lejeune, NC 28547-2521			(X)	9A. AMENDMENT OF SOLICITATION NO. N40085-14-R-0105	
			X	9B. DATED (SEE ITEM 11) 04/11/14	
				10A. MODIFICATION OF CONTRACT/ORDER NO.	
				10B. DATED (SEE ITEM 11)	
CODE	FACILITY CODE				

11. THIS ITEM ONLY APPLIES TO AMENDMENTS OF SOLICITATIONS

The above numbered solicitation is amended as set forth in Item 14. The hour and date specified for receipt of Offers is extended, is not extended.
 Offers must acknowledge receipt of this amendment prior to the hour and date specified in the solicitation or as amended, by one of the following methods:
 (a) By completing items 8 and 15, and returning _____ copies of the amendment; (b) By acknowledging receipt of this amendment on each copy of the offer submitted;
 or (c) By separate letter or telegram which includes a reference to the solicitation and amendment numbers. FAILURE OF YOUR ACKNOWLEDGMENT TO BE RECEIVED AT THE PLACE DESIGNATED FOR THE RECEIPT OF OFFERS PRIOR TO THE HOUR AND DATE SPECIFIED MAY RESULT IN REJECTION OF YOUR OFFER. If by virtue of this amendment your desire to change an offer already submitted, such change may be made by telegram or letter, provided each telegram or letter makes reference to the solicitation and this amendment, and is received prior to the opening hour and date specified.

12. ACCOUNTING AND APPROPRIATION DATA (If required)

**13. THIS ITEM ONLY APPLIES TO MODIFICATION OF CONTRACTS/ORDERS.
IT MODIFIES THE CONTRACT/ORDER NO. AS DESCRIBED IN ITEM 14.**

CHECK ONE	A. THIS CHANGE ORDER IS ISSUED PURSUANT TO: (Specify authority) THE CHANGES SET FORTH IN ITEM 14 ARE MADE IN THE CONTRACT ORDER NO. IN ITEM 10A.
	B. THE ABOVE NUMBERED CONTRACT/ORDER IS MODIFIED TO REFLECT THE ADMINISTRATIVE CHANGES (such as changes in paying office, appropriation date, etc.) SET FORTH IN ITEM 14, PURSUANT TO THE AUTHORITY OF FAR 43.103(b).
	C. THIS SUPPLEMENTAL AGREEMENT IS ENTERED INTO PURSUANT TO AUTHORITY OF:
	D. OTHER (Specify type of modification and authority)

E. IMPORTANT: Contractor is not, is required to sign this document and return _____ copies to the issuing office.

14. DESCRIPTION OF AMENDMENT/MODIFICATION (Organized by UCF section headings, including solicitation/contract subject matter where feasible.)

14-0105 Repair BEQ, Building HP509

1. The time and date for receipt of proposals is changed to 10:00 a.m. on June 10, 2014.

2. Incorporate the following REVISED Electrical Sheets into the project/contract:

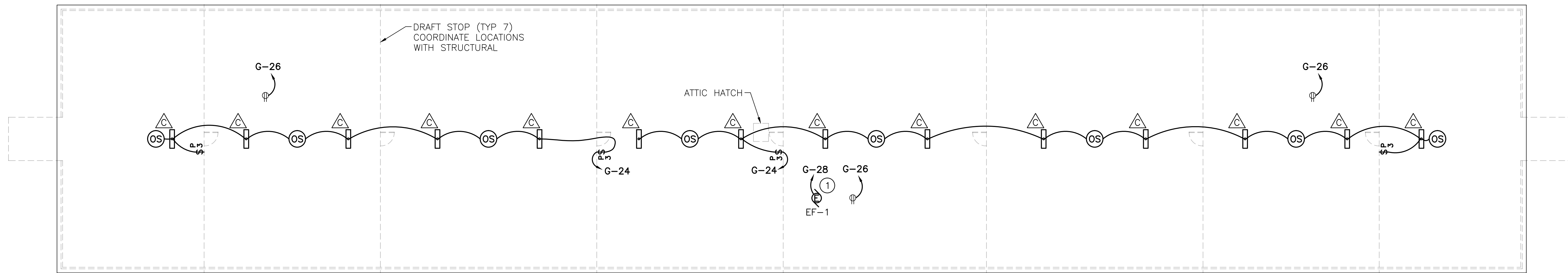
Sheet E-102, NAVFAC Drawing No. 60011983

Sheet E-602, NAVFAC Drawing No. 60011991

(CONTINUED)

Except as provided herein, all terms and conditions of the document referenced in Item 9A or 10A, as heretofore changed, remains unchanged and in full force and effect.

15A. NAME AND TITLE OF SIGNER (Type or print)		16A. NAME AND TITLE OF CONTRACTING OFFICER (Type or print)	
15B. CONTRACTOR/OFFEROR		16B. UNITED STATES OF AMERICA	
15C. DATE SIGNED		16C. DATE SIGNED	
(Signature of person authorized to sign)		(Signature of Contracting Officer)	



ATTIC ELECTRICAL NEW WORK PLAN

SCALE: 3/32" = 1'-0"

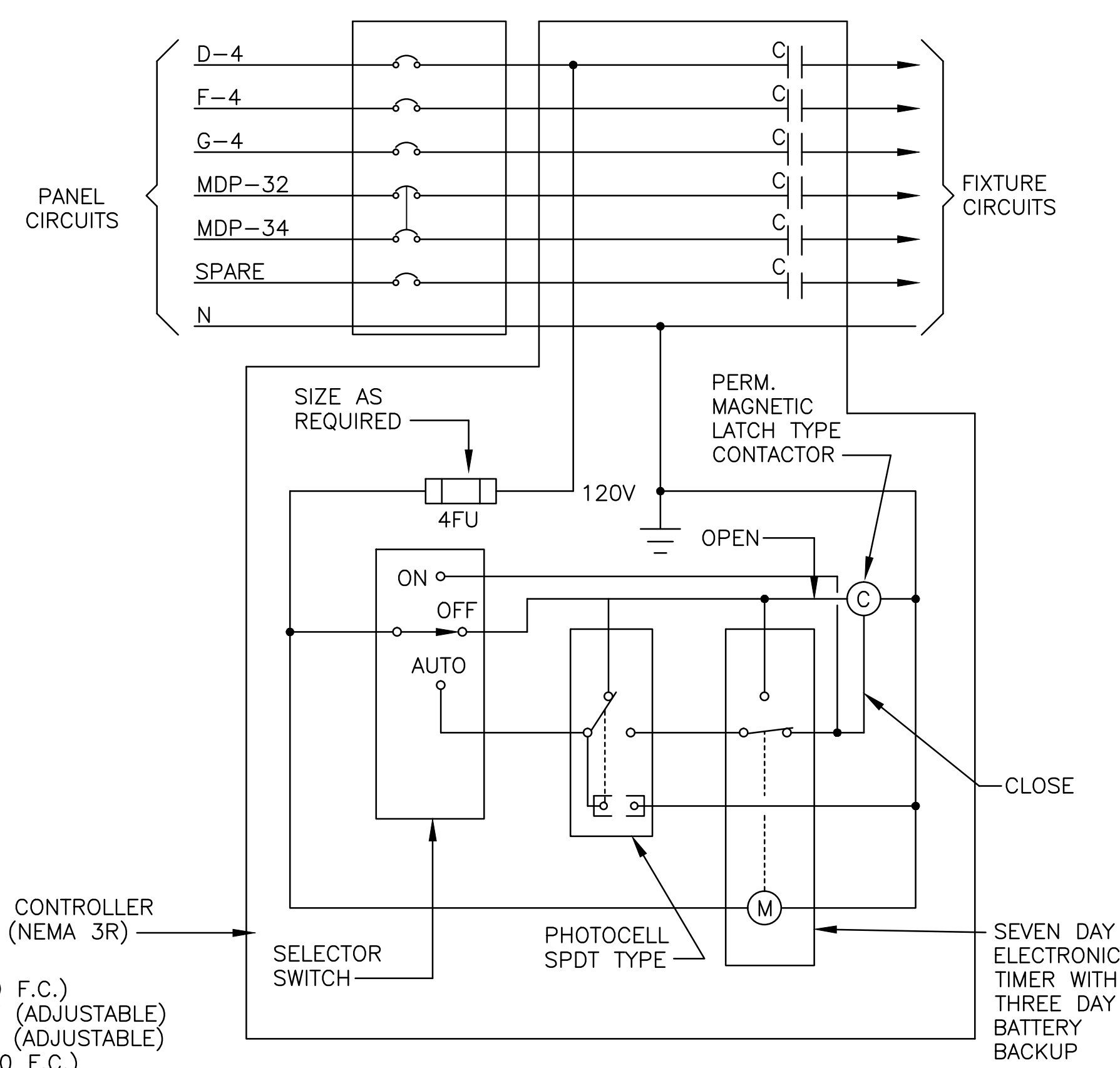
GENERAL NOTES:

1. SEE SHEET E-501 FOR LIGHTING FIXTURE SCHEDULE.
2. ALL NEW AND EXISTING PENETRATIONS ARE TO BE STOPPED TO MEET 2 HOUR RATING.

3. ATTACH LIGHT FIXTURES TO TRUSSES AT 7" ABOVE WALKWAY. ATTACH SWITCH TO ROOF FRAME ADJACENT ATTIC HATCHES AND DOORS.

NEW WORK KEYNOTES:

- 1 EF-1 PROVIDED WITH INTEGRAL DISCONNECT.



LIGHTING CONTROLLER CABINET (NEMA 3R)
 ON AT DUSK (10 F.C.)
 OFF AT MIDNIGHT (ADJUSTABLE)
 ON AT 5:00 A.M. (ADJUSTABLE)
 OFF AT DAWN (10 F.C.)

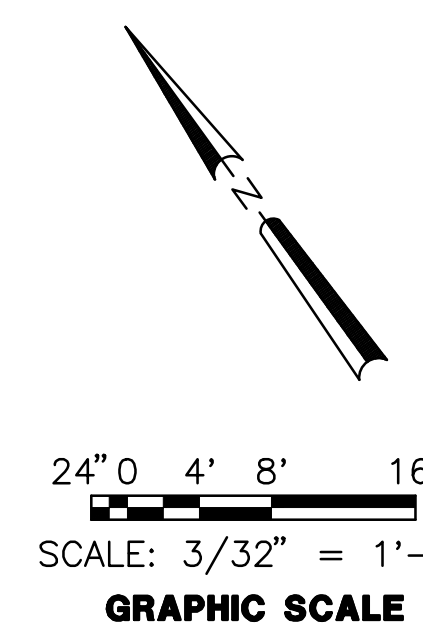
EXTERIOR LIGHT SCHEMATIC

NOT TO SCALE

DISCLOSURE OF INFORMATION

CONTRACTOR SHALL COMPLY AS FOLLOWS:

- A. THE CONTRACTOR SHALL NOT RELEASE TO ANYONE OUTSIDE THE CONTRACTOR'S ORGANIZATION ANY UNCLASSIFIED INFORMATION, REGARDLESS OF MEDIUM (E.G., FILM, TAPE, DOCUMENT), PERTAINING TO ANY PART OF THE CONTRACT OR ANY PROGRAM RELATED TO THIS CONTRACT, UNLESS—
 1. THE CONTRACTING OFFICE HAS GIVEN PRIOR WRITTEN APPROVAL; OR
 2. THE INFORMATION IS OTHERWISE IN THE PUBLIC DOMAIN BEFORE THE DATE OF RELEASE.
- B. REQUESTS FOR APPROVAL SHALL IDENTIFY THE SPECIFIC INFORMATION TO BE RELEASED, THE MEDIUM TO BE USED, AND THE PURPOSE FOR THE RELEASE. THE CONTRACTOR SHALL SUBMIT ITS REQUEST TO THE CONTRACTING OFFICER AT LEAST 45 DAYS BEFORE PROPOSED DATE FOR RELEASE.
- C. THE CONTRACTOR AGREES TO INCLUDE A SIMILAR REQUIREMENT IN EACH SUBCONTRACT UNDER THIS CONTRACT. SUBCONTRACTORS SHALL SUBMIT REQUESTS FOR AUTHORIZATION TO RELEASE THROUGH THE PRIME CONTRACTOR TO THE CONTRACTING OFFICER.



04/28/14 ELECTRICAL UPDATE		E-102	
 <small>2509 First Street, Raleigh, North Carolina, 27605-4437, 919.772.5527 Project Manager: R. Alvar</small>		DEPARTMENT OF THE NAVY NAVAL FACILITIES ENGINEERING COMMAND MARINE CORPS BASE CAMP LEJEUNE, NORTH CAROLINA	
DES. R. ALVAR DR. C. COOPER CHK. J. BONGIORNO SUBMITTED BY:		REPAIR BEQ BUILDING HP509	
DESIGN DIR. APPROVED: PWO OR OICC DATE		ATTIC ELECTRICAL NEW WORK PLAN AND SCHEMATIC NAVFAC DRAWING NO. 60011983	
SATISFACTORY TO: DATE		CONST. CONTR. NO. N40085-12-B-0123 SCALE: AS NOTED SPEC. 05-12-0123 SHEET 78 OF 87	
6 FEBRUARY 2014			

PANEL NO. M1									
VOLTAGE 120/208		PHASE 3	WIRE 4	BUS SIZE 225A		MAIN CB. MLO			
CKT. NO.	BRKR. SIZE	LOAD	VA	CKT. NO.	BRKR. SIZE	LOAD	VA		
1	20	RCPT-169 DEHUMIDIFIER	600	A 2	20	HP-7	2612		
3	20	RCPT-168 DEHUMIDIFIER	600	B 4	20				
5	20	SBC	100	C 6	30	HP-8	4160		
7	30	HP-1	4160	A 8	60	P-1	16644		
9				B 10					
11	20	HP-2	2612	C 12	60	P-1A	16644		
13				A 14					
15	30	HP-3	4160	B 16	60				
17				C 18					
19	20	HP-4	2612	A 20					
21				B 22	20	LGTS/RCPT-RM 169	950		
23				C 24	20	LGTS/RCPT CHASE 172-173	1010		
25	20	HP-5	2612	A 26	20	LGTS/RCPT-RM 168	950		
27				B 28	20	LGTS/RCPT CHASE 170-171	1010		
29	30	HP-6	4160	C 30	20	SPARE			
31	20	SPARE		A 32	20	SPARE			
33	20	SPARE		B 34	20	SPARE			
35				C 36					
37				A 38					
39				B 40					
41				C 42					

INTERRUPTING AMPERE CURRENT RATING FOR THIS ASSEMBLY SHALL BE 10,000 A. RMS SYM. TOTAL CONNECTED 65,596 VA TOTAL DEMAND 65,596 VA 182 AMPS

PANEL NO. M2									
VOLTAGE 120/208		PHASE 3	WIRE 4	BUS SIZE 225A		MAIN CB. MLO			
CKT. NO.	BRKR. SIZE	LOAD	VA	CKT. NO.	BRKR. SIZE	LOAD	VA		
1	20	RCPT-269 DEHUMIDIFIER	600	A 2	20	HP-15	2612		
3	20	RCPT-268 DEHUMIDIFIER	600	B 4	20				
5	20	P-2, 4	504	C 6	30	HP-16	4160		
7	20	P-3, 5	504	A 8	30				
9				B 10					
11	30	HP-9	4160	C 12	20	DHP-1	5270		
13				A 14					
15	20	HP-10	2612	B 16	20	DHP-1A	5270		
17				C 18					
19	30	HP-11	4160	A 20					
21				B 22					
23	20	HP-12	2612	C 24	20	DHP-2	5270		
25				A 26					
27	20	HP-13	2612	B 28					
29				C 30	20	DHP-2A	5270		
31	30	HP-14	4160	A 32					
33				B 34					
35	20	DHP-3	5270	C 36	20	DHP-3A	5270		
37				A 38					
39	20	SPARE		B 40	20	SPARE			
41	20	SPARE		C 42	20	SPARE			

INTERRUPTING AMPERE CURRENT RATING FOR THIS ASSEMBLY SHALL BE 10,000 A. RMS SYM. TOTAL CONNECTED 60,916 VA TOTAL DEMAND 60,916 VA 169 AMPS

PANEL NO. M2A									
VOLTAGE 120/208		PHASE 3	WIRE 4	BUS SIZE 225A		MAIN CB. MLO			
CKT. NO.	BRKR. SIZE	LOAD	VA	CKT. NO.	BRKR. SIZE	LOAD	VA		
1				A 2					
3	50	EWB-1	14000	B 4	50	EWB-2	14000		
5				C 6					
7				A 8	20	SPARE			
9	50	EWB-3	14000	B 10	20	SPARE			
11				C 12	20	SPARE			
13	20	LGTS/RCPT-RM 269	950	A 14	20	LGTS/RCPT-RM 268	950		
15	20	LGTS/RCPT CHASE 272-273	1010	B 16	20	LGTS/RCPT CHASE 270-271	1010		
17				C 18					
19				A 20					
21				B 22					
23				C 24					
25				A 26					
27				B 28					
29				C 30					

INTERRUPTING AMPERE CURRENT RATING FOR THIS ASSEMBLY SHALL BE 10,000 A. RMS SYM. TOTAL CONNECTED 45,920 VA TOTAL DEMAND 45,920 VA 128 AMPS

PANEL NO. M3									
VOLTAGE 120/208		PHASE 3	WIRE 4	BUS SIZE 225A		MAIN CB. MLO			
CKT. NO.	BRKR. SIZE	LOAD	VA	CKT. NO.	BRKR. SIZE	LOAD	VA		
1	20	RCPT-369 DEHUMIDIFIER	600	A 2	45	OAU-1	12413		
3	20	RCPT-368 DEHUMIDIFIER	600	B 4	45				
5				C 6					
7	30	HP-17	4160	A 8	30	OAU-2	8323		
9				B 10					
11	20	HP-18	2612	C 12	30	OAU-3	8323		
13				A 14					
15	30	HP-19	4160	B 16	30				
17				C 18					
19	20	HP-20	2612	A 20	45	OAU-4	12413		
21				B 22					
23	20	HP-21	2612	C 24					
25				A 26	20	MOD RM 369	100		
27	30	HP-22	4160	B 28	20	MOD RM 368	100		
29				C 30	20	LGTS/RCPT-RM 369	950		
31	20	HP-23	2612	A 32	20	LGTS/RCPT CHASE 372-373	1010		
33				B 34	20	LGTS/RCPT-RM 368	950		
35	30	HP-24	4160	C 36	20	LGTS/RCPT CHASE 370-371	1010		
37	20	SPARE		A 38	20	SPARE			
39	20	SPARE		B 40	20	SPARE			
41				C 42					

INTERRUPTING AMPERE CURRENT RATING FOR THIS ASSEMBLY SHALL BE 10,000 A. RMS SYM. TOTAL CONNECTED 73,880 VA TOTAL DEMAND 73,880 VA 205 AMPS


L - CIRCUIT BREAKER TO BE LOCKABLE TYPE

EQUIPMENT SCHEDULE		
EQUIPMENT	FEEDER	DISCONNECT
OAU-1	3#4, #6G, 1 1/4"C	60/3/250V/NF/N1
OAU-2	3#6, #6G, 3/4"C	30/3/250V/NF/N1
OAU-3	3#10, #10G, 1/2"C	30/3/250V/NF/N1
OAU-4	3#8, #10G, 3/4"C	60/3/250V/NF/N1
DHP-1, 1A, 2, 2A	3#8, #10G, 3/4"C	30/3/250V/NF/N1
DHP-3, 3A	3#12, #12G, 1/2"C	30/3/250V/NF/N1
HP-1, 3, 9, 11, 17, 19	2#6, #6G, 3/4"C	30/2/250V/NF/N1
HP-2, 4, 10, 12, 18, 20	2#8, #8G, 1/2"C	30/2/250V/NF/N1
HP-5, 7, 13, 15, 21, 23	2#12, #12G, 1/2"C	30/2/250V/NF/N1
HP-6, 8, 14, 16, 22, 24, 25-27	2#10, #10G, 1/2"C	30/2/250V/NF/N1
P-1, 1A	3#6, #10G, 3/4"C	60/3/250V/NF/N1
P-2-4	#4, #4N, #6G, 1"C	20A MOTOR RATED SWITCH
P-5	#12, #12N, #12G, 1/2"C	20A MOTOR RATED SWITCH
UH-1, 2, 3 FLOORS	3#10, #10G, 1/2"C	30/3/250V/NF/N1
DRYERS IN NEW LAUNDRY	2#12, #12G, 1/2"C	NEMA 14-30R
DRYERS IN PREV LAUNDRY	2#8, #10G, 1/2"C	NEMA 14-30R
HAND DRYER	#6, #6N, #6G, 3/4"C	
MOD	#12, #12N, #12G, 1/2"C	20A MOTOR RATED SWITCH
EWB-1, 2	3#4, #6G, 1"C	60/3/250V/NF/N1
EWB-3	3#8, #10G, 3/4"C	60/3/250V/NF/N1

DISCLOSURE OF INFORMATION

CONTRACTOR SHALL COMPLY AS FOLLOWS:

- THE CONTRACTOR SHALL NOT RELEASE TO ANYONE OUTSIDE THE CONTRACTOR'S ORGANIZATION ANY UNCLASSIFIED INFORMATION, REGARDLESS OF MEDIUM (E.G., FILM, TAPE, DOCUMENT), PERTAINING TO ANY PART OF THE CONTRACT OR ANY PROGRAM RELATED TO THIS CONTRACT, UNLESS-
 - THE CONTRACTING OFFICE HAS GIVEN PRIOR WRITTEN APPROVAL; OR
 - THE INFORMATION IS OTHERWISE IN THE PUBLIC DOMAIN BEFORE THE DATE OF RELEASE.
- REQUESTS FOR APPROVAL SHALL IDENTIFY THE SPECIFIC INFORMATION TO BE RELEASED, THE MEDIUM TO BE USED, AND THE PURPOSE FOR THE RELEASE. THE CONTRACTOR SHALL SUBMIT ITS REQUEST TO THE CONTRACTING OFFICER AT LEAST 45 DAYS BEFORE PROPOSED DATE FOR RELEASE.
- THE CONTRACTOR AGREES TO INCLUDE A SIMILAR REQUIREMENT IN EACH SUBCONTRACT UNDER THIS CONTRACT. SUBCONTRACTORS SHALL SUBMIT REQUESTS FOR AUTHORIZATION TO RELEASE THROUGH THE PRIME CONTRACTOR TO THE CONTRACTING OFFICER.

04/28/14 ELECTRICAL UPDATE		E-602	
		DEPARTMENT OF THE NAVY NAVAL FACILITIES ENGINEERING COMMAND MARINE CORPS BASE CAMP LEJUNE, NORTH CAROLINA	
DES. R. ALVAR DR. C. COOPER CHK. J. BONGIORNO SUBMITTED BY:		REPAIR BEQ BUILDING HP509	
DESIGN DIR. APPROVED: PWO OR OICC DATE		ELECTRICAL PANEL SCHEDULES NAVFAC DRAWING NO. 60011991	
SATISFACTORY TO: DATE		F 80091 CONST. CONTR. NO. N40085-12-B-0123	
6 FEBRUARY 2014		SCALE: NONE SPEC. 05-12-0123 SHEET 86 OF 87	