

AMENDMENT OF SOLICITATION/MODIFICATION OF CONTRACT			1. CONTRACT ID CODE	PAGE 1 OF 2 PAGES
2. AMENDMENT/MODIFICATION NO. AMENDMENT NO. 0002		3. EFFECTIVE DATE 04/04/14	4. REQUISITION/PURCHASE REQ. NO.	5. PROJECT NO. (If applicable) 12-0088
6. ISSUED BY CODE		CODE mks	7. ADMINISTERED BY (If other than Item 6) CODE See Item 6	
Officer in Charge of Construction MCI-East 1005 Michael Road Camp Lejeune, NC 28547-2521				
8. NAME AND ADDRESS OF CONTRACTOR (No., street, county, State and ZIP Code)			(X)	9A. AMENDMENT OF SOLICITATION NO. N40085-12-R-0088
			X	9B. DATED (SEE ITEM 11) 03/25/14
				10A. MODIFICATION OF CONTRACT/ORDER NO.
				10B. DATED (SEE ITEM 11)
CODE	FACILITY CODE			

11. THIS ITEM ONLY APPLIES TO AMENDMENTS OF SOLICITATIONS

The above numbered solicitation is amended as set forth in Item 14. The hour and date specified for receipt of Offers is extended, is not extended. Offers must acknowledge receipt of this amendment prior to the hour and date specified in the solicitation or as amended, by one of the following methods:
 (a) By completing items 8 and 15, and returning _____ copies of the amendment; (b) By acknowledging receipt of this amendment on each copy of the offer submitted; or (c) By separate letter or telegram which includes a reference to the solicitation and amendment numbers. FAILURE OF YOUR ACKNOWLEDGMENT TO BE RECEIVED AT THE PLACE DESIGNATED FOR THE RECEIPT OF OFFERS PRIOR TO THE HOUR AND DATE SPECIFIED MAY RESULT IN REJECTION OF YOUR OFFER. If by virtue of this amendment your desire to change an offer already submitted, such change may be made by telegram or letter, provided each telegram or letter makes reference to the solicitation and this amendment, and is received prior to the opening hour and date specified.

12. ACCOUNTING AND APPROPRIATION DATA (If required)

13. THIS ITEM ONLY APPLIES TO MODIFICATION OF CONTRACTS/ORDERS. IT MODIFIES THE CONTRACT/ORDER NO. AS DESCRIBED IN ITEM 14.

CHECK ONE	A. THIS CHANGE ORDER IS ISSUED PURSUANT TO: (Specify authority) THE CHANGES SET FORTH IN ITEM 14 ARE MADE IN THE CONTRACT ORDER NO. IN ITEM 10A.
	B. THE ABOVE NUMBERED CONTRACT/ORDER IS MODIFIED TO REFLECT THE ADMINISTRATIVE CHANGES (such as changes in paying office, appropriation date, etc.) SET FORTH IN ITEM 14, PURSUANT TO THE AUTHORITY OF FAR 43.103(b).
	C. THIS SUPPLEMENTAL AGREEMENT IS ENTERED INTO PURSUANT TO AUTHORITY OF:
	D. OTHER (Specify type of modification and authority)

E. IMPORTANT: Contractor is not, is required to sign this document and return _____ copies to the issuing office.

14. DESCRIPTION OF AMENDMENT/MODIFICATION (Organized by UCF section headings, including solicitation/contract subject matter where feasible.)

12-0088 Repair Electronic Maintenance Shop, Building HP104

(CONTINUED)

Except as provided herein, all terms and conditions of the document referenced in Item 9A or 10A, as heretofore changed, remains unchanged and in full force and effect.

15A. NAME AND TITLE OF SIGNER (Type or print)		16A. NAME AND TITLE OF CONTRACTING OFFICER (Type or print)	
15B. CONTRACTOR/OFFEROR		16B. UNITED STATES OF AMERICA	
15C. DATE SIGNED		16C. DATE SIGNED	
(Signature of person authorized to sign)		(Signature of Contracting Officer)	

N40085-12-R-0088

Amendment 0002

Page 2 of 2

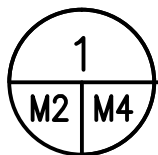
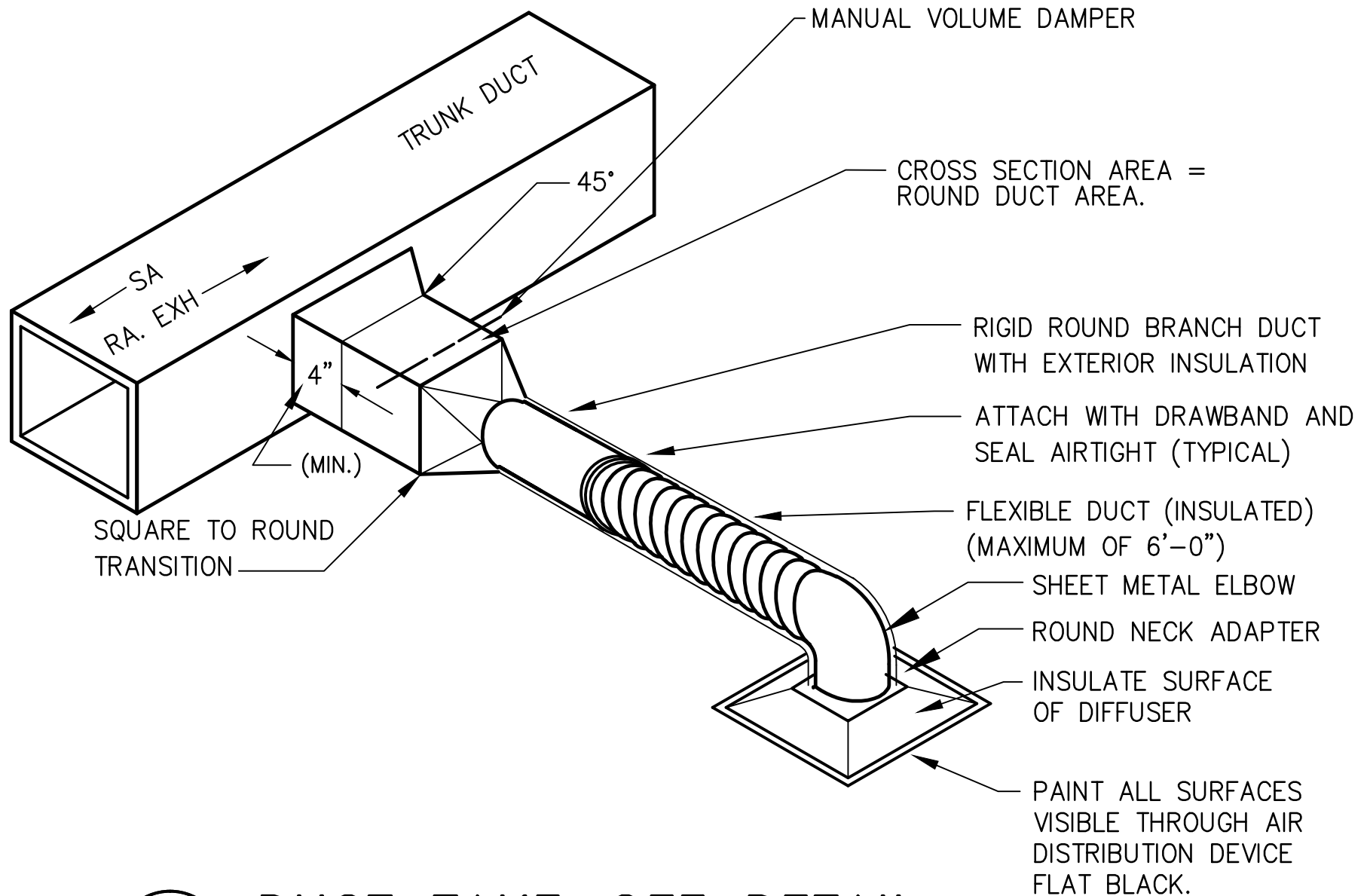
CONTINUATION SHEET

1. Sheet E-3 has light fixture C shown in room 150 Shipping and Receiving. Light fixtures in room 150 shall be switched to type D fixtures, typical of (10) fixtures.

2. M-4 detail for duct take-offs mentions 45 degree and conical. All duct take-offs shall be 45 degree with a manual balancing damper in these applications. See attached detail.

3. E-2 Demolition Note 1: Replace with the following- "Electrical materials which are being removed, unless otherwise indicated, shall be properly disposed of by the contractor."

4. E-2 Demolition Note 2: Replace with the following-"All exposed electrical conduit and wiring shall be removed completely. Concealed conduit may be abandoned in place. All electrical conduit which is abandoned shall be mechanically and electrically secured. Conductors shall be removed back to the point of supply.



DUCT TAKE-OFF DETAIL

NTS